

## Flat Round Washer

**Washer Type:** Mudguard | Penny | Fender

**Material:** Mild Steel

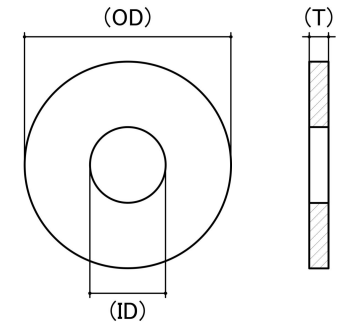
**Class Grade:** Low Tensile Grade 2

**Corrosion Protection Level:** Moderate

**Finish:** Zinc Plated

**Standard:** HEC Standard

**System Of Measurement:** Imperial



*CAD drawings shown for graphic representation only.\**

Industry Size (inches)	Inside Dimension (ID) (mm)		Outside Dimension (OD) (mm)	Thickness (T) (mm)	sku (qfind)
	Min	Max	Nom	Nom	
1/8 x 1/2 x 20g	3.40	3.80	12.70	0.90	711812
1/8 x 5/8 x 18g	3.40	3.80	16.00	1.20	711858
5/32 x 5/8 x 16g	4.10	4.50	16.00	1.60	7153258
3/16 x 3/4 x 18g	5.10	5.60	19.00	1.20	713163418
3/16 x 3/4 x 16g	5.10	5.60	19.00	1.60	7131634
3/16 x 1 x 16g	5.10	5.60	25.00	1.60	713161
3/16 x 1-1/4 x 16g	5.10	5.60	32.00	1.60	71316114
1/4 x 3/4 x 18g	7.10	7.50	19.00	1.20	71143418
1/4 x 3/4 x 16g	7.10	7.50	19.00	1.60	71143416
1/4 x 7/8 x 18g	7.10	7.50	22.00	1.20	711478
1/4 x 1 x 16g	7.10	7.50	25.00	1.60	71141
1/4 x 1-1/4 x 16g	7.10	7.50	32.00	1.60	7114114
1/4 x 2 x 16g	7.10	7.50	51.00	1.60	71142
5/16 x 1 x 16g	8.60	9.20	25.00	1.60	715161
5/16 x 1-1/4 x 16g	8.60	9.20	32.00	1.60	71516114

Industry Size (inches)	Inside Dimension (ID) (mm)		Outside Dimension (OD) (mm)	Thickness (T) (mm)	sku (qfind)
	Min	Max	Nom	Nom	
5/16 x 1-1/2 x 16g	8.60	9.20	38.00	1.60	71516112
5/16 x 2 x 16g	8.60	9.20	51.00	1.60	715162
3/8 x 1-1/4 x 16g	10.70	11.30	32.00	1.60	7138114
3/8 x 1-1/2 x 16g	10.70	11.30	38.00	1.60	7138112
3/8 x 2 x 16g	10.70	11.30	51.00	1.60	71382
3/8 x 2 x 12g	10.70	11.30	51.00	2.50	7138212
1/2 x 1-1/4 x 16g	13.00	14.00	32.00	1.60	7112114
1/2 x 1-1/2 x 14g	13.00	14.00	32.00	2.00	7112112
1/2 x 2 x 16g	13.00	14.00	51.00	1.60	7112216
1/2 x 2 x 12g	13.00	14.00	51.00	2.50	7112212
9/16 x 1-1/4 x 16g	15.60	16.10	32.00	1.60	71916114
5/8 x 2 x 16g	17.70	18.30	51.00	1.60	71582
5/8 x 2 x 12g	17.70	18.30	51.00	2.50	7158212

**Disclaimer:**

Dimensional data and technical information was obtained from publically available sources and not acquired through standard agencies. It has been completed and compiled for reference purposes only; where discrepancies are found they are subject to change without notice. Bolt & Nut Australia makes no warranties or representations regarding the accuracy and validity of the compiled information and data. Contact the relevant standard authorities for accurate and detailed information.

\* CAD drawings may not reflect diameter, thread length or overall length.

© Bolt & Nut Australia Pty Ltd. All rights reserved.

Version: 18 Mar 2024